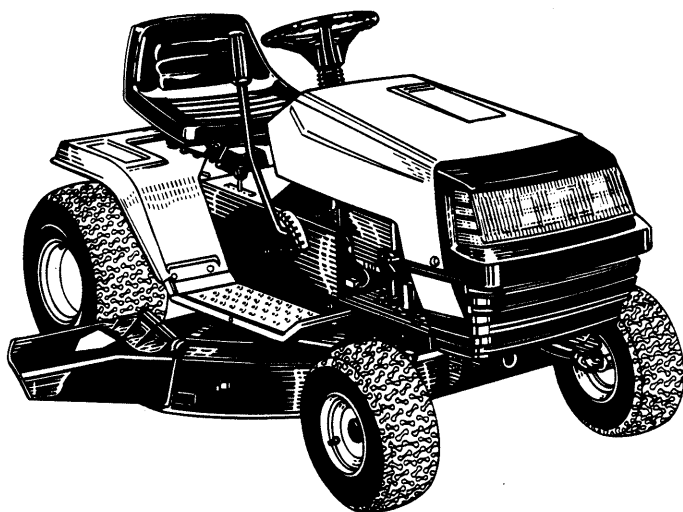


OWNER'S GUIDE

• ILLUSTRATED PARTS



**TRANSMATIC
FRONT
ENGINE
LAWN
TRACTORS
600
Model Series
620 thru 669
Lawn Tractors**

IMPORTANT!

Record the **Model No.** and **Mfg. Code** which appear on your unit in the space below. You **must** have these numbers, along with the date of purchase, in order to receive warranty or service.

MEETS ANSI SAFETY STANDARDS

MODEL NO.

MFG. CODE

**Important:
Read Safety Rules
and Instructions Carefully**



Made
in
AMERICA

WARNING: This unit is equipped with an internal combustion engine and should not be used on or near any unimproved forest-covered, brush-covered or grass-covered land unless the engine's exhaust system is equipped with a spark arrester meeting applicable local or state laws (if any). If a spark arrester is used, it should be maintained in effective working order by the operator.

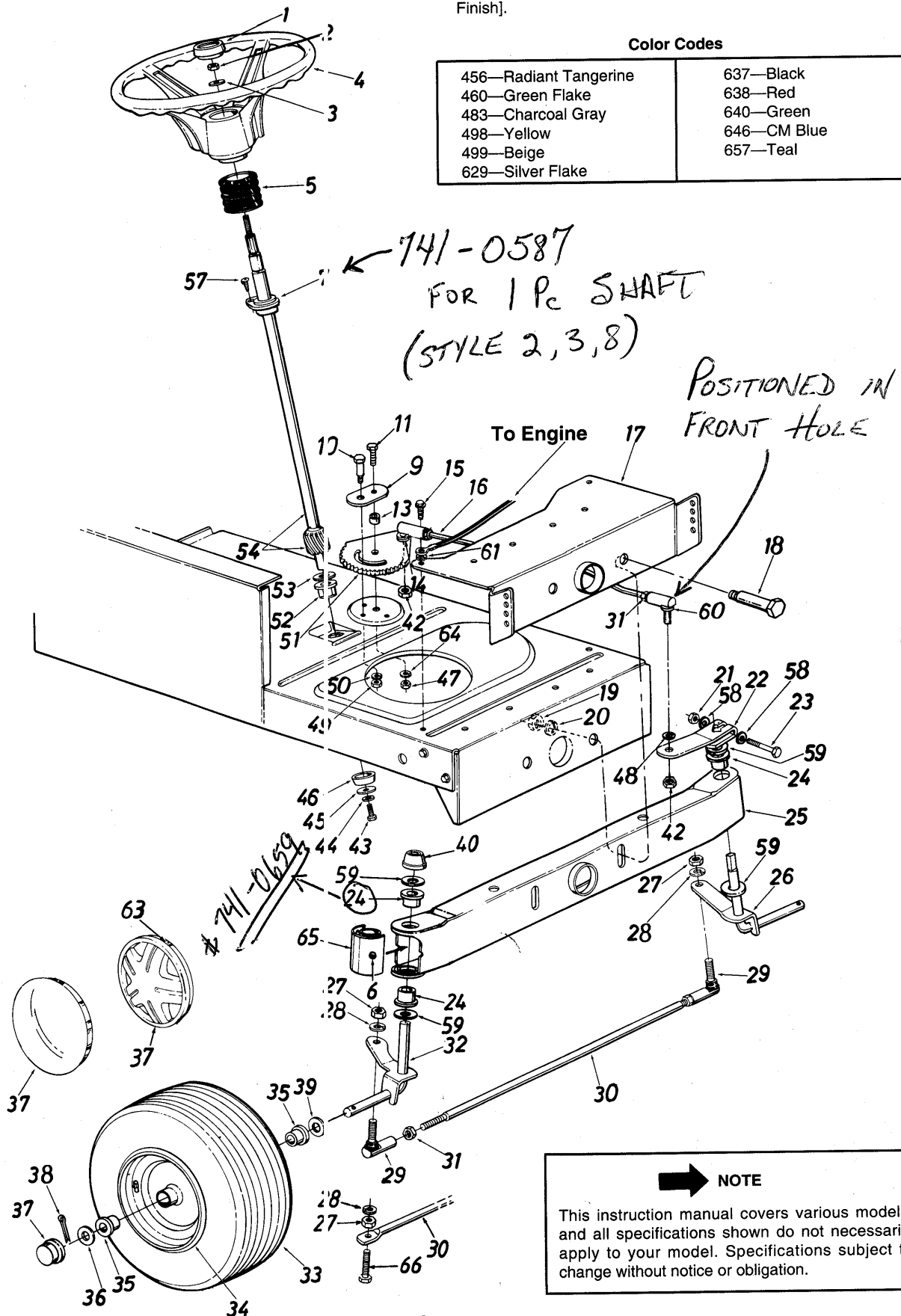
In the State of California the above is required by law (Section 4442 of the California Public Resources Code). Other states may have similar laws. Federal laws apply on federal lands. A spark arrester for the muffler is available through your nearest engine authorized service dealer or contact the service department, P.O. Box 360900, Cleveland, Ohio 44136.

Models 620 thru 669

CODE: N notates a new part (not previously existing). A three digit number is the color code. Specify color code as shown below if color or finish is important when ordering parts. [i.e., 638 for Red Finish].

Color Codes

456—Radiant Tangerine	637—Black
460—Green Flake	638—Red
483—Charcoal Gray	640—Green
498—Yellow	646—CM Blue
499—Beige	657—Teal
629—Silver Flake	



Model 620 thru 669

PARTS LIST FOR FRONT ENGINE LAWN TRACTORS

REF. NO.	PART NO.	CODE	DESCRIPTION	REF. NO.	PART NO.	CODE	DESCRIPTION
1	731-0220		Steering Wheel Cap	33	**		Wheel Ass'y. Comp.
2	712-0237		Hex L-Nut 5/16-24 Thd.	34	**		Front Wheel Rim Only
3	736-0242		Belleville Wash. .345" I.D.	35	**		Bearing
4	731-0805		Steering Wheel (3 Spoke)	36	736-0285		Fl-Wash. .635 I.D. x 1.59" O.D.
	731-0806A		Steering Wheel (4 Spoke)				
5	731-0559		Steering Bellow—4.5" (Style 2, 3, 5, 7, 8)	37	731-0484A		Front Wheel Hub Cap
	731-0954		Steering Bellow—9" (Style 0, 4, 6, 9)		734-0541		Front Wheel Hub Cap (Chrome—Optional)
6	737-0280		Grease Fitting (Optional)		734-1503		Spoked Hub Cap (Gray—Optional)
7	741-0356		Flange Bearing .890 I.D. x 1.36 O.D. (Style 2, 3, 5, 7, 8)		734-1612		Spoked Hub Cap (Beige—Optional)
9	17198A	N	Retainer Plate	38	714-0470		Cotter Pin 1/8" Dia. x 1.25"
10	738-0141		Shoulder Bolt .437" Dia. x .35 Lg. 5/16-18 Thd.	39	736-0187		Fl-Wash. .640" I.D. x 1.24" O.D.
11	710-0152		Hex Bolt 3/8-24 x 1.0" Lg. (Grade 5)	40	726-0214		Push Cap 5/8" Dia. Rod
13	750-0535		Spacer .380" I.D. x .625" O.D. x .227	42	712-0446		Hex Jam Nut 3/8-24 Thd.
14	736-0169		L-Wash. 3/8" I.D.*	43	710-0538		Hex L-Bolt 5/16-18 x .62"
15	710-0726		Hex Wash. Hd. Self-Tap Scr.	44	736-0119		L-Wash. 5/16" I.D.*
16	711-0788		Steering Drag Link	45	736-0343		Fl-Wash. .33" I.D. x 1.25" O.D.
17	17621		Front Pivot Brkt.	46	750-0532		Spacer (Plastic)
18	738-0527		Shoulder Bolt .498" Dia. x 2.04 Lg. 3/8-16 Thd.	47	712-0214		Hex Cent. L-Nut 3/8-24 Thd.
19	712-0798		Hex Nut 3/8-16 Thd.*	48	736-0169		L-Wash. 3/8" I.D.*
20	736-0169		L-Wash. 3/8" I.D.*	49	712-0158		Hex Cent. L-Nut 5/16-18 Thd.
21	712-0237		Hex Cent. L-Nut 5/16-24 Thd.	50	736-0119		L-Wash. 5/16" I.D.*
22	16481A		Steering Arm Front Axle	51	717-0622A		Steering Gear Segment
23	710-0772		Hex Bolt 5/16-24 x 2.00" Lg. (Grade 5)	52	741-0225		Hex Flg. Brg. .634 I.D.
24	741-0487A	N	Hex Flg. Brg. .632 I.D.	53	736-0187		Fl-Wash. (Hardened)
25	683-0002	N	Pivot Bar Ass'y.	54	738-0743		Steering Shaft
26	**		Front Axle Ass'y.—L.H.	55	710-0837		Oval Hd. Cr.—Sunk Scr. #10 x 5/8" Lg. (Style 2, 3, 5, 7, 8)
27	712-0241		Hex Nut 3/8-24 Thd.*	58	736-0271		Wave-Wash. .32" I.D. x .62" O.D.
28	736-0169		L-Wash. 3/8" I.D.*	59	736-0187		Fl-Wash. (Hardened)
29	723-3018		Ball Joint 3/8-24 Thd.	60	723-3018		Drag Link Ball Joint 3/8-24 Thd.
30	747-0753		Tie Rod (Adjustable)	61	736-0607		Ext. L-Wash. 5/16" I.D.
	747-0861	N	Tie Rod (Non-Adjustable)	63	727-0425A		Spring Clip (Used w/Spoked Hub Cap)
31	712-0711		Hex Jam Nut 3/8-24 Thd.*	64	736-0356		Bell-Wash. .39" I.D. x 1.38" O.D.
32	**		Front Axle Ass'y.—R.H.	65	731-1291	N	Pivot Bar End Cap (Optional)
				66	710-0459		Hex Bolt 3/8-24 x 1.5" Lg. (Gr. 5)

*For faster service obtain standard nuts, bolts and washers locally. If these items cannot be obtained locally, order by part number and size as shown on parts list.

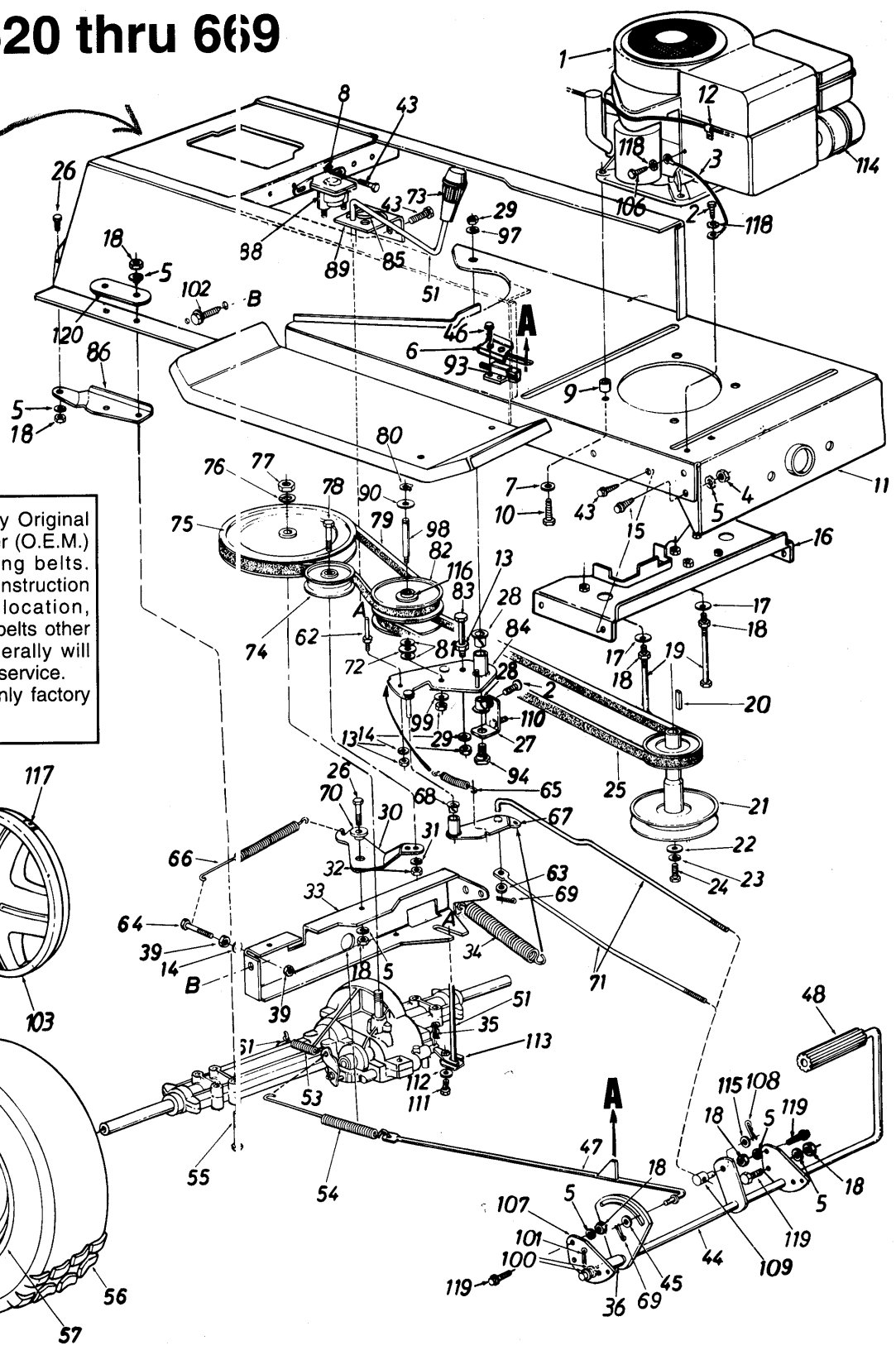
**FRONT WHEEL CHART

Description	15" x 6" w/Plastic Bearing	13" x 5" w/Plastic Bearing	15" x 6" w/Ball Bearing	13" x 6" w/Ball Bearing
Wheel Ass'y. Comp.	634-0056	634-0057	634-0059	634-0060
Tire Only	734-0864	734-0298	734-0864	734-1421
Rim Only	634-0024	634-0050	634-0051	634-0051
Bearing	741-0487A	741-0487A	741-0569	741-0569
Air Valve	734-0255	734-0255	734-0255	734-0255
Grease Fitting (Optional)	737-0211 PLASTIC	737-0211	737-0280	737-0280
Grease Plug	737-0212	737-0212	—	—
Front Axle Ass'y.—L.H.	17585	16480	17585	16480
Front Axle Ass'y.—R.H.	17584	15840	17584	15840

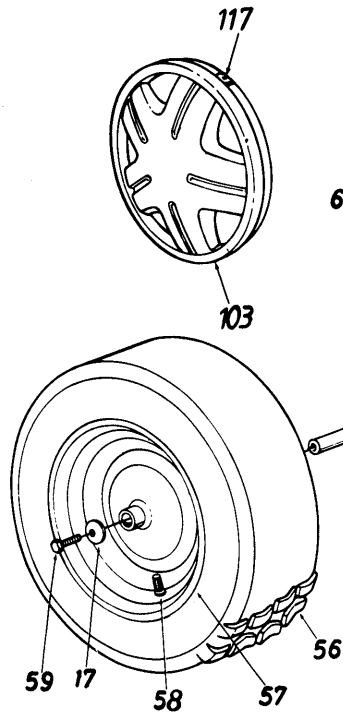
Note: If brand of tire is important, order by part number and description (description is printed on the sidewall of tire) [i.e. Armstrong Super Turf, Goodyear Softrac, Carlisle Turf Saver, etc.].

Models 620 thru 669

17953



IMPORTANT: Use only Original Equipment Manufacturer (O.E.M.) V-belts when replacing belts. They are of special construction (type of cord, cord location, length, etc.). Use of V-belts other than O.E.M. belts generally will provide only temporary service. For best results, use only factory approved parts.



****REAR WHEEL CHART**

Description	18" x 9.50"	18" x 8.50"	18" x 6.50"	20" x 8.0"	20" x 10.0"
Wheel Ass'y. Comp.	734-0817	734-0601	734-0592	734-1675	734-1064
Tire Only	734-0448	734-0516	734-0294	734-1596	734-1065
Rim Only	734-0603A	734-0603A	734-0594	734-0603A	734-0603A

Note: If brand of tire is important, order by part number and description (description is printed on the sidewall of tire [i.e. Armstrong Super Turf, Goodyear Softrac, Carlisle Turf Saver, etc.]).

Models 620 thru 669

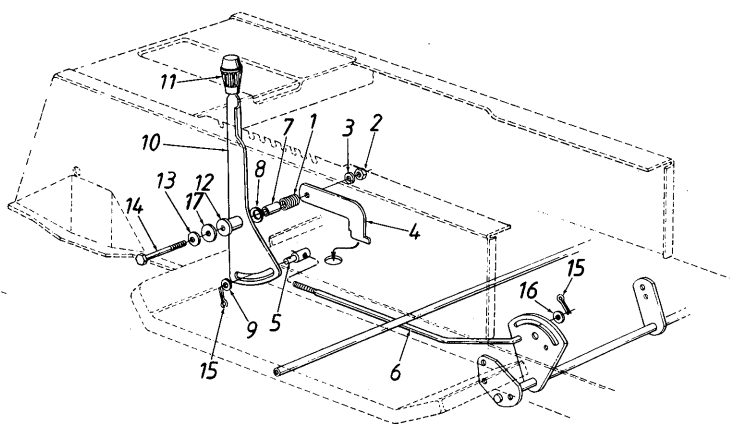
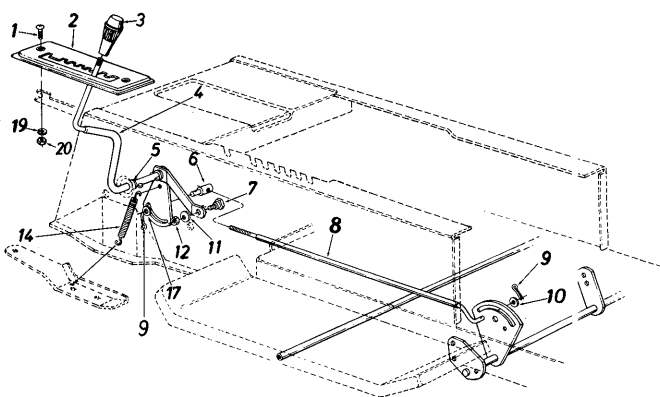
PARTS LIST FOR FRONT ENGINE LAWN TRACTORS

EF. NO.	PART NO.	CODE	DESCRIPTION	REF. NO.	PART NO.	CODE	DESCRIPTION
1	—		Engine	55	710-1068		Hex Bolt 5/16-18 x 3.5" Lg.
2	710-0726		Hex Wash. AB-Tap Scr. 5/16" x .75"		710-0176		(Used w/18" Wheels)
3	725-0980		Electric Ground Wire				Hex Bolt 5/16-18 x 2.75"
4	712-0123		Hex Nut 5/16-24 Thd.*	56	**		(Used w/20" Wheels)
5	736-0119		L-Wash. 5/16" I.D.*	57	**		Wheel Ass'y. Comp.
6	17962		Switch Plate	58	734-0255		Wheel Rim Only
7	736-0247		FI-Wash. .406" I.D. x 1.25"	59	710-0627		Air Valve (Service Only)
9	750-0777		Spacer	61	732-0454		Hex Bolt 5/16-24 x .75" Lg.*
8	736-0222		Ext. L-Wash. 1/4" I.D.	62	711-0768		Brake Return Spring Anchor
10	710-1007		Hex L-Wash. Tap Scr. 3/8-16 x 1.5" Lg. (B&S)	63	736-0275		Belt Guard Pin 1/4-20 Thd.
	710-0650		Hex Wash. Hd. TT-Tap Scr. 5/16-18 x 7/8" Lg. (Tec.)	64	710-0428		FI-Wash. .34" I.D. x .68" O.D.
				65	732-0568		Hex Bolt 1/4-28 x 1.25" Lg.*
11	17620C	N	Lower Frame Ass'y.	66	732-0384		Ext. Spring
12	726-0235		Speed Clip	67	16554A		Ext. Spring .62" O.D. x 6.12"
13	712-0287		Hex Nut 1/4-20 Thd.*				Variable Speed Torque
14	736-0329		L-Wash. 1/4" I.D.*		16352A		Brkt. Ass'y.
15	710-1012		Rib Neck Bolt 5/16-24 x .84" Lg.	68	741-0419		Variable Speed Torque Brkt. Ass'y. (30" Deck Only)
16	17893		Belt Guard Brkt. Ass'y.	69	714-0111		Flanged Bearing
17	736-0242		Bell-Wash. .345" I.D. x .88"	70	748-0234		Cotter Pin 3/32" Dia.*
18	712-0267		Hex Nut 5/16-18 Thd.*	71	747-0530A		Shoulder Spacer .27" Lg.
19	710-0190		Hex Bolt 5/16-18 x 4.0"**		747-0512		Speed Control Link
20	714-0114		Sq. Key 1/4" x 1/4" x 2.00"				Speed Control Link (30" Deck Only)
21	756-0488		Engine Pulley	72	741-0405		Truss Bearing .56 Dia. x 1.25"
22	736-0322		FI-Wash. 7/16" I.D. x 1.25"	73	720-0232		Shift Knob
23	736-0171		L-Wash. 7/16" I.D.*	74	756-0437		FI-Idler Pulley 3.25" x .75"
24	710-0757		Hex Bolt 7/16-20 x 1.50" Lg.	75	656-0005		"V"-Pulley (Used w/18" Wheels)
25	754-0280		Variable-Speed Belt				"V"-Pulley (Used w/20" Wheels)
26	710-0118		Hex Bolt 5/16-18 x .75" Lg.		656-0004		
27	17963		Bearing Shaft Bracket Ass'y.				
28	741-0591	N	Flanged Nylon Brg. .63" I.D. x .6" Lg.	76	736-0427		Bell-Wash. .56" I.D. x 1.125"
				77	712-3035		Hex Jam Nut 9/16-18 Thd.
29	712-0241		Hex Nut 3/8-24 Thd.*	78	710-0539		Hex Bolt 3/8-24 x 1.75" Lg.
30	17643		Idler Bracket (Used w/20" Wheels)	79	754-0370		Variable Speed Belt
	17694		Idler Bracket (Used w/18" Wheels)	80	716-0114		Snap Ring .56" Dia.
				81	736-0355		FI-Wash.
				82	717-0800A	N	Variable Speed Pulley Ass'y. 5" O.D.
31	736-0169		L-Wash. 3/8" I.D.*				Hex Bolt 1/4-20 x 3.5" Lg.
32	712-0241		Hex Nut 3/8-24 Thd.*	83	710-1223		Variable Speed Brkt. Ass'y.
33	17629A	N	Transaxle Support Brkt.	84	16354B		Comp. Spring—Clip
34	732-0556		Ext. Spring .94" O.D. x 7.58"	85	732-0525		Axle Support Brkt.—R.H.
35	714-0149B	3-0-9	Inter. Cott-Pin 0209	86	17668		Axle Support Brkt.—L.H. (Not Shown)
36	750-0802		Spacer .63" I.D.		17669		Solenoid
39	712-0138		Hex Nut 1/4-28 Thd.	88	725-1426		Shift Lever Bracket
43	710-0599		Hex Wash. Hd. S-Tap Scr. 1/4-20 x .50" Lg.	89	17630		Teflon Washer .565" I.D.
44	17715A		Clutch/Brake Pedal Ass'y.	90	736-0414		Safety Switch (Clutch)
45	736-0117		FI-Wash.	93	725-3169A		Shld. Bolt 3/8-24 x 3.12" Lg.
46	710-0351		Truss Mach. Scr. B-Tap Scr. #10 x .5" Lg.	94	738-0755		Transaxle Spacer (Used w/18" Wheels)
				96	748-0334		Bell-Wash. .38" I.D. x .88"
47	17686A	N	Brake Rod Ass'y.	97	736-0105		Shaft .56" Dia. x 3.875" Lg.
48	735-0196		Foot Pad	98	738-0569		Bell-Wash. .39" I.D. x 1.12"
51	17705		Shift Lever Ass'y.	99	736-0331		FI-Wash. .64" I.D. x .94"
53	732-0264		Ext. Spring .38" O.D. x 2.5"	100	736-0256		Cotter Pin 1/8" Dia. x 1.25"
54	732-0413		Ext. Spring 7.08" (Used w/20" Wheels)	101	714-0470		Hex Wash. Hd. Scr. 5/16-18 x .62" Lg.
	732-0642		Ext. Spring 7.33" (Used w/18" Wheels)	102	710-0604		

PARTS LIST FOR FRONT ENGINE LAWN TRACTORS (CONTINUED)

REF. NO.	PART NO.	CODE	DESCRIPTION	REF. NO.	PART NO.	CODE	DESCRIPTION
103	734-1504		Hub Cap (Gray—Optional)	112	736-0270		Bell-Wash. .265" I.D. x .75"
	734-1614		Hub Cap (Beige—Optional)	113	17707		Shift Lever Link Ass'y.
106	710-0323		Pan Hd. Mach. Scr. 5/16-18 x .75" Lg.	114	—		Muffler (Refer to Style Sheet)
107	17860		Pedal Bracket	115	736-0140		FI-Wash. .385" I.D. x .62"
108	714-0470		Cotter Pin 1/8" Dia. x 1.25"	116	741-0404		Needle Brgs. (2 Req'd.)
109	711-0198		Ferrule	117	727-0425A		Spring Clip (Used w/Ref. #103)
110	710-0376		Hex Bolt 5/16-18 x 1.0" Lg.—(Gr. 5)	118	736-0607		External L-Wash. 5/16" I.D.
111	710-0195		Hex Bolt 1/4-28 x .50" Lg.	119	710-0650		Hex Wash. TT-Tap Scr. 5/16-18 x .75"
				120	17840		Transaxle Mtg. Brkt.

Models 620 thru 669



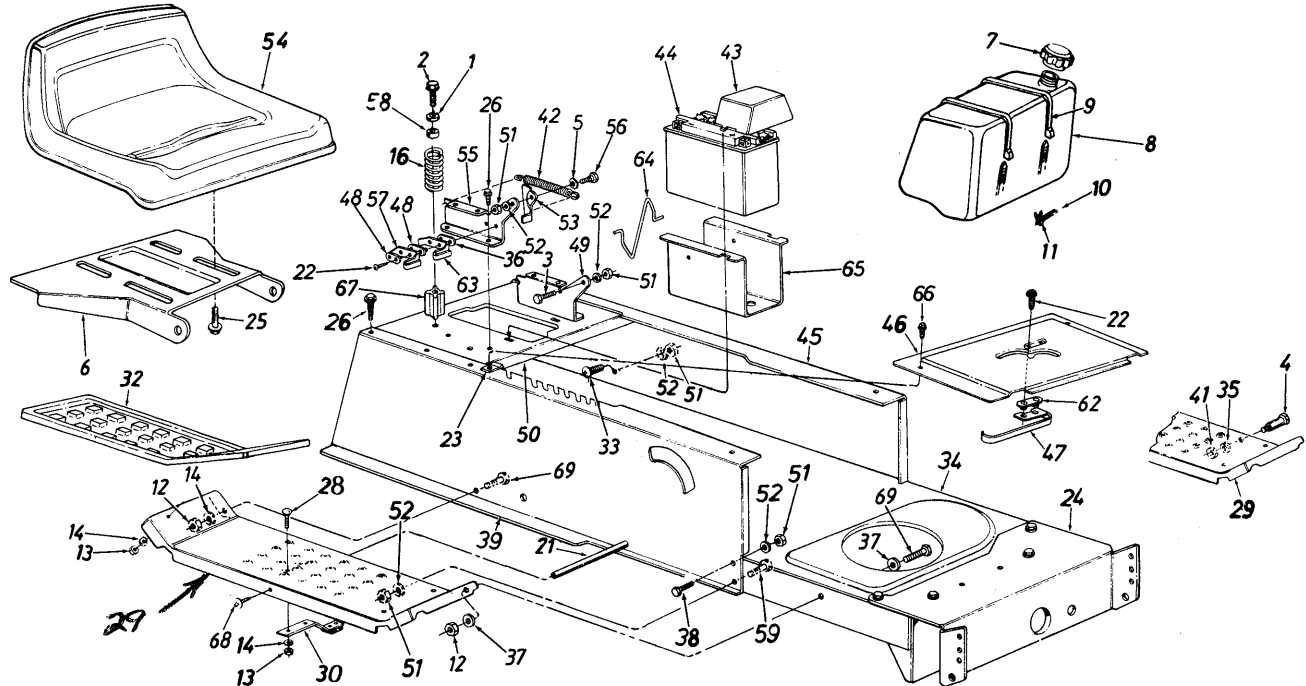
PARTS LIST FOR FRONT ENGINE LAWN TRACTORS

REF. NO.	PART NO.	CODE	DESCRIPTION
1	710-0924		Truss Mach. Scr. 1/4-20 x .75" Lg.
2	16195		5-Speed Selector Plate
	16236		6-Speed Selector Plate
	16194		7-Speed Selector Plate
3	720-0218		Shift Knob
4	16192A		Speed Selector Lever Ass'y.
5	736-0192		Flat Washer .53" I.D. x .93"
6	711-0198		Ferrule 3/8-24 x .37" Dia.
7	738-0155		Shoulder Bolt
8	747-0503A		Speed Control Link
9	714-0111		Cotter Pin 3/32" Dia. x 1.0"
10	736-0226		FI-Wash. .469" I.D. x .38"
11	736-0119		L-Wash. 5/16" I.D.*
12	712-0267		Hex Nut 5/16-18 Thd.*
14	732-0303		Spring .38" O.D. x 3.13" Lg.
17	736-0140		FI-Wash. .385" I.D. x .32"
19	736-0329		L-Wash. 1/4" I.D.*
20	712-0287		Hex Nut 1/4-20 Thd.*

PARTS LIST FOR FRONT ENGINE LAWN TRACTORS

REF. NO.	PART NO.	CODE	DESCRIPTION
1	732-0645		Compression Spring
2	712-0267		Hex Nut 5/16-18 Thd.*
3	736-0119		L-Wash. 5/16" I.D.*
4	17956		Shift Lever Support
5	711-0198		Ferrule 3/8-24 Thd.
6	747-0787		Speed Control Rod
7	750-0662		Spacer 1.56" Lg.
8	736-0253		Bell-Wash. .505" I.D. x 1" O.D.
9	736-0300		FI-Wash. .385" I.D. x .87" O.D.
10	17888A	N	Speed Selector Lever
11	720-0232		Shift Knob
12	750-0913	N	Spacer 1.46" Lg.
13	736-0242		Bell-Wash. .345" I.D. x .88" O.D.
14	710-3056		Hex Bolt 5/16-18 x 3.25" Lg.
15	714-0111		Cotter Pin 3/32" Dia. x 1" Lg.
16	736-0226		FI-Wash. .469" I.D. x .88"
17	736-0418A		FI-Wash. .34" I.D. x 2.25"

Models 620 thru 669

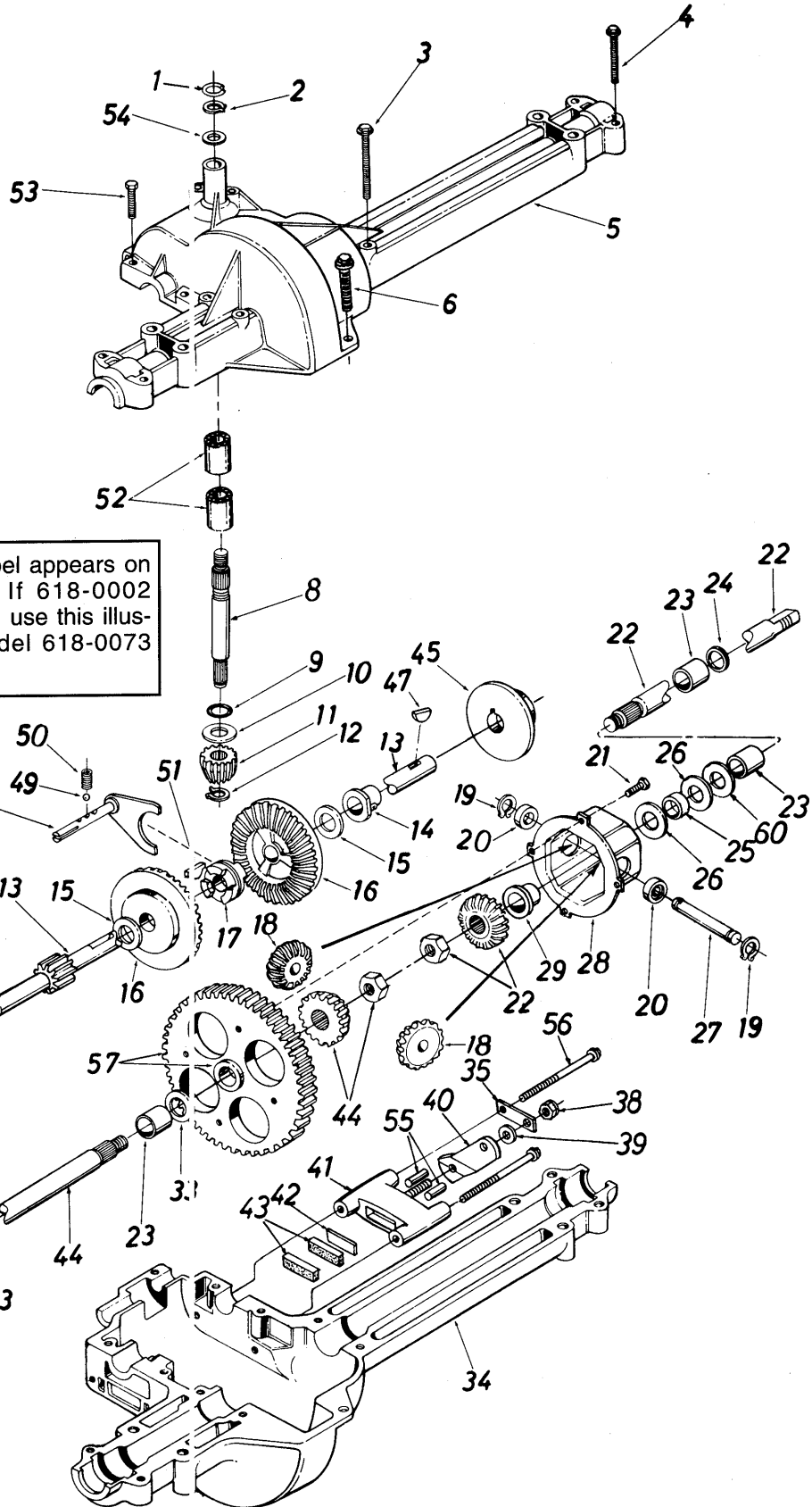


PARTS LIST FOR FRONT ENGINE LAWN TRACTORS

REF. NO.	PART NO.	CODE	DESCRIPTION	REF. NO.	PART NO.	CODE	DESCRIPTION
1	736-0159		FI-Wash. .344" I.D. x .875"	38	710-0118		Hex Bolt 5/16-18 x .75" Lg.*
2	710-1208	N	Hex Wash. Hd. Tap Scr. 5/16-18 x 3.25" Lg.	39	17622B	638/N	Upper Frame—R.H.
3	738-0155		Shld. Bolt .437" Dia. x .162"	41	712-0798		Hex Nut 3/8-16 Thd.*
4	738-0145		Shld. Bolt .50" Dia. x .84"	42	732-0581B		Extension Spring 5.31" Lg.
5	736-0141		Spr-Wash. .445" I.D. x .75	43	731-1200		Battery Cover
6	15607D		Seat Pivot Bracket	44	725-0514A		12-V Battery
7	751-3071		Fuel Cap	45	17623	638	Upper Frame—L.H.
8	751-0553		Fuel Tank	46	—		Shift Cover (Refer to Style Sheet)
9	726-0209		Tie Strap	47	725-1643	N	Reverse Safety Switch
10	751-0535-15		Fuel Line	48	726-0279		Insulator Plate
11	726-0205		Hose Clamp	49	17951		Seat Pivot Brkt. Support—L.H.
12	712-0138		Hex Nut 1/4-28 Thd.	50	17953		Hitch Plate
13	712-0287		Hex Nut 1/4-20 Thd.*	51	712-0267		Hex Nut 5/16-18 Thd.*
14	736-0329		L-Wash. 1/4" I.D.	52	736-0119		L-Wash. 5/16" I.D.*
16	732-0672		Compression Spring	53	17239A		Seat Lift Brkt.
21	738-0526		Running Board Rod	54	757-0345		Seat 8-7/8" High
22	710-0227		Hex Wash. Hd. AB-Tap Scr. #8 x .50" Lg.		757-0338		Seat 10-5/8" High
23	726-0139		Speed Nut #10Z		757-0350		Seat 14 1/4" High
24	17621		Front Pivot Brkt.	55	17950		Seat Pivot Brkt. Support—R.H.
25	710-0623		Hex Tap Scr. 3/8-16 x .75"	56	738-0296		Shld. Bolt .437" Dia. x .268"
26	710-0726		Hex Wash. Hd. AB-Tap Scr. 5/16 x .75" Lg.	57	725-1303		Spring Switch
28	710-0134		Carriage Bolt 1/4-20 x .62"	58	722-0160		Bushing
29	17770		Running Board (R.H. & L.H.)	59	710-0650		Hex Wash. TT-Tap Scr. 5/16-18 x 7/8" Lg.
30	761-0168A		Blade Brake Ass'y.	62	726-0320		Insulator Nut Plate
32	731-0909		Rubber Foot Pad—L.H.**	63	725-1439		Safety Switch (Seat)
	731-0910		Rubber Foot Pad—R.H.**	64	732-0674		Battery Tray Clip
	723-0422		Abrasive Foot Pad**	65	17952	N	Battery Tray
33	710-0323		Truss Mach. Scr. 5/16-18 x .75" Lg.*	66	710-0351		Truss Mach. B-Tap Scr. #10 x .5" Lg.
34	17620C	N	Lower Frame	67	748-0347	N	Spring Spacer
35	736-0169		L-Wash. 3/8" I.D.*	68	710-1221	N	Pan Hd. Cutting Scr. 5/16-18 x .75" Lg.
36	726-0278		Insulator Boss Plate	69	710-0412		Hex Bolt 1/4-28 x .75" Lg.
37	736-0463		FI-Wash. .25" I.D. x .625" O.D.				

**Optional Parts

Models 620 thru 669



IMPORTANT: A model label appears on the transaxle housing. If 618-0002 appears on your transaxle, use this illustrated parts list. For model 618-0073 refer to pages 10 and 11.

**SINGLE SPEED TRANSAXLE—R.H.
MODEL 618-0002**

Models 620 thru 669

PARTS LIST FOR SINGLE SPEED TRANSAXLE RIGHT HAND 618-0002

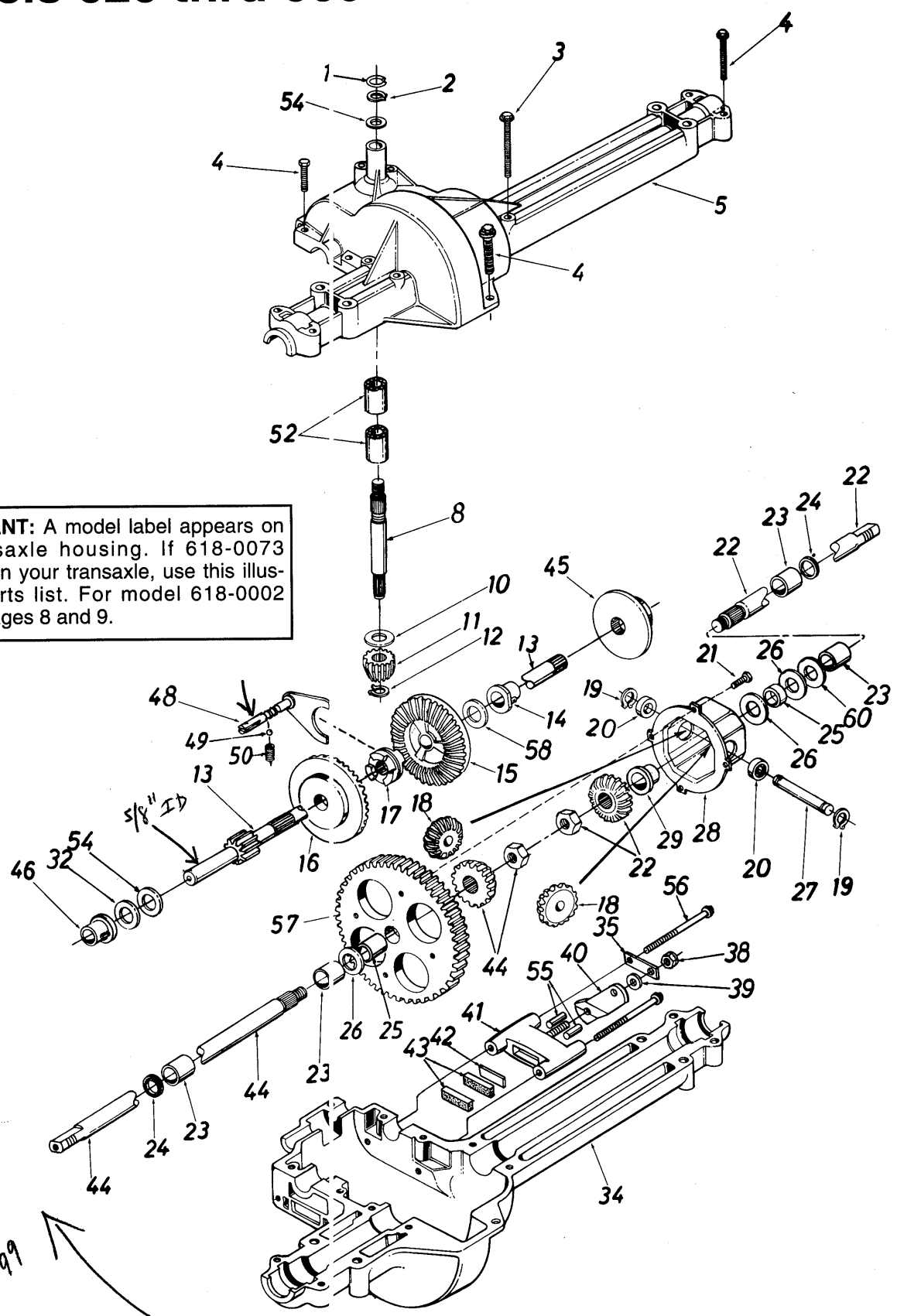
REF. NO.	PART NO.	CODE	DESCRIPTION	REF. NO.	PART NO.	CODE	DESCRIPTION
1	732-0614		Wire Ring	34	719-0303		Lower Housing
2	716-0108		Retaining—Ring	35	718-0150		Anti-Rotation Brkt.
3	710-0854		Hex Bolt 1/4-20 x 1.75" Lg.*	38	712-0273		Hex Nut 5/16-24 Thd.
4	710-0809		Hex Tap Scr. 1/4-20 x 1.25" Lg.	39	736-0371		Fl-Wash. .344" I.D. x .875" O.D.
5	717-0764A		Upper Housing				
6	710-0642		Hex TT-Tap Scr. 1/4-20 x .75" Lg.	40	717-0700		Actuating Arm
				41	761-0198		Brake Yoke
8	711-0861		Input Shaft	42	717-0682		Puck Plate
9	721-0178		Square Seal 5/8" I.D.	43	717-0678		Brake Puck
10	736-0335		Thrust Washer 5/8" I.D. x 1.25" O.D.	44	717-0538		Axle L.H. Ass'y.
				45	717-0677		Brake Disc
11	717-0633		Pinion Input 14T	46	741-0337		Flange Bearing 5/8" I.D. x 15/16" Lg.
12	716-0171		Retaining Ring				
13	717-0758		Drive Shaft	47	714-0161		Woodruff Key 3/16 x 5/8 HT
14	741-0336		Flange Brg. 5/8" I.D. x 3/4" Lg.*	48	717-0754		Shift Fork Ass'y.
				49	741-0862		Ball Detent .250" Dia.
15	736-0335		Fl-Wash. 5/8" I.D. x 1.25"	50	732-0863		Spring Detent
16	717-0757		Bevel Gear 42T	51	714-0169		#9 Hi-Pro Key 3/16" x 3/4" Dia. HT
17	717-0667		Clutch Collar				
18	717-1020		Miter Gear 15T (H.D.)	52	741-0335		Needle Brg. 5/8" I.D. x 1/2" Lg.
19	716-0184		Snap Ring				
20	741-0589		Thrust Bearing	53	710-0855		Hex Bolt 1/4-20 x 1.00" Lg.
21	710-0862A		Pan Head Scr. 1/4-20 x .50" Lg. w/Patch	54	736-0349		Fl-Wash. 5/8" I.D. x 1" O.D. x .020 Thk.
22	717-0539		Axle R.H. Ass'y.	55	741-0343		Actuating Pin 5/16" Dia.
23	741-0340		Sleeve Bearing 3/4" I.D. x 1.0" Lg.	56	710-1206		Hex Wash Hd. Self-Tap Scr. 1/4-20 Thd.
24	721-0179		Oil Seal 3/4" I.D.	57	717-0767		Differential Gear 72T Ass'y. w/Bearing
25	750-0827		Axle Spacer				
26	736-0445		Fl-Wash. .760" I.D. x 1.5" O.D.	58	736-0349		Fl-Wash. 5/8" I.D. x 1" O.D. x .020 Thk.
27	711-0918		Cross Shaft		736-0495		Thrust Wash. 5/8" I.D. x 1" O.D. x .025" Thk.
28	717-1252		Differential Can Ass'y.				
29	—		Part of Ref. 28	60	**		Washer (See Below)
32	**		Washer (See Below)	—	737-0148		Grease—Shell (15 oz.)
33	736-0445		Fl-Wash. .760" I.D. x 1.5" O.D.				

**Ref. No. 32 736-0495 Thrust Wash. 5/8" I.D. x 1" O.D. x .025" Thk.
736-0336 Fl-Wash. 5/8" I.D. x 1" O.D. x .030" Thk.
736-0494 Thrust Wash. 5/8" I.D. x 1" O.D. x .035" Thk.
736-0337 Fl-Wash. 5/8" I.D. x 1" O.D. x .040" Thk.

**Ref. No. 60 736-0492 Fl-Wash. .76" I.D. x 1.5" O.D. x .010" Thk.
736-0493 Fl-Wash. .76" I.D. x 1.5" O.D. x .020" Thk.
736-0351 Fl-Wash. .76" I.D. x 1.5" O.D. x .030" Thk.
736-0445 Fl-Wash. .76" I.D. x 1.5" O.D. x .060" Thk.

Models 620 thru 669

IMPORTANT: A model label appears on the transaxle housing. If 618-0073 appears on your transaxle, use this illustrated parts list. For model 618-0002 refer to pages 8 and 9.



*note:
9/8-0/63B
8-6-99*

**SINGLE SPEED TRANSAXLE—R.H.
MODEL 618-0073**

Models 620 thru 669

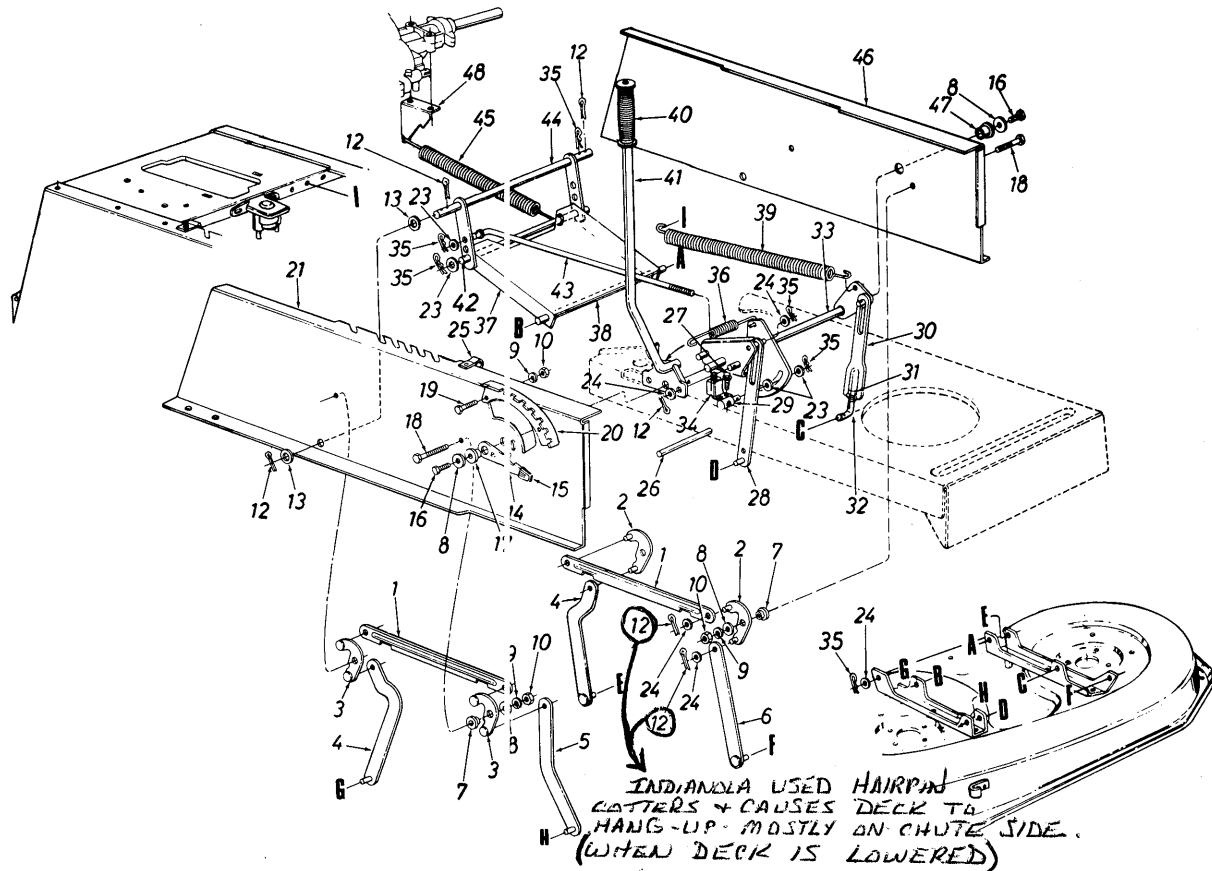
PARTS LIST FOR SINGLE SPEED TRANSAXLE RIGHT HAND 618-0073

REF. NO.	PART NO.	CODE	DESCRIPTION	REF. NO.	PART NO.	CODE	DESCRIPTION
1	732-0614		Wire Ring	33	736-0445		FI-Wash. .760" I.D. x 1.5" O.D.
2	716-0171		Retaining—Ring	34	719-0313	N	Lower Housing
3	710-1026		Hex Wash. TT-Tap Scr. 1/4-20 x 1.75" Lg.*	35	718-0150		Anti-Rotation Brkt.
4	710-0809		Hex Tap Scr. 1/4-20 x 1.25" Lg.	38	712-0273		Hex Nut 5/16-24 Thd.
5	719-0314	N	Upper Housing	39	736-0371		FI-Wash. .344" I.D. x .875" O.D.
8	711-0861		Input Shaft	40	717-0700		Actuating Arm
10	736-0335		Thrust Washer 5/8" I.D. x 1.25" O.D.	41	761-0198		Brake Yoke
11	717-0633		Pinion Input 14T	42	717-0682		Puck Plate
12	716-0171		Retaining Ring	43	717-0678		Brake Puck
13	711-0943	N	Drive Shaft—R.H. Brake	44	717-0538		Axle L.H. Ass'y.
14	741-0336		Flange Brg. 5/8" I.D. x 3/4" Lg.*	45	761-0202	N	Brake Disc
15	717-1362	N	Bevel Gear 42T Small I.D.	46	741-0337		Flange Bearing 5/8" I.D. x 15/16" Lg.
16	717-1363	N	Bevel Gear 42T Large I.D.	48	611-0011		Shift Fork Ass'y.
17	718-0228	N	Clutch Collar	49	741-0862		Ball Detent .250" Dia.
18	717-1020		Miter Gear 15T (H.D.)	50	732-0863		Spring Detent
19	716-0184		Snap Ring	51	714-0169		#9 Hi-Pro Key 3/16" x 3/4" Dia. HT
20	741-0589		Thrust Bearing	52	741-0335		Needle Brg. 5/8" I.D. x 1/2" Lg.
21	710-0862A		Pan Head Scr. 1/4-20 x .50" Lg. w/Patch	54	736-0349		FI-Wash. 5/8" I.D. x 1" O.D. x .020 Thk.
22	717-0539		Axle R.H. Ass'y.	55	741-0343		Actuating Pin 5/16" Dia.
23	741-0340		Sleeve Bearing 3/4" I.D. x 1.0" Lg.	56	710-1206		Hex Wash Hd. Self-Tap Scr. 1/4-20 Thd.
24	721-0179		Oil Seal 3/4" I.D.	57	717-1364	N	Differential Gear 58T
25	750-0767	N	Axle Spacer	58	736-0349		FI-Wash. 5/8" I.D. x 1" O.D. x .020 Thk.
26	736-0445		FI-Wash. .760" I.D. x 1.5" O.D.		736-0495		Thrust Wash. 5/8" I.D. x 1" O.D. x .025" Thk.
27	711-0918		Cross Shaft	60	**		Washer (See Below)
28	717-1252		Differential Can Ass'y.		737-0148		Grease—Shell (15 oz.)
29	—		Part of Ref. 28				
32	**		Washer (See Below)				

**Ref. No. 32 736-0495 Thrust Wash. 5/8" I.D. x 1" O.D. x .025" Thk.
736-0336 FI-Wash. 5/8" I.D. x 1" O.D. x .030" Thk.
736-0494 Thrust Wash. 5/8" I.D. x 1" O.D. x .035" Thk.
736-0337 FI-Wash. 5/8" I.D. x 1" O.D. x .040" Thk.

**Ref. No. 60 736-0492 FI-Wash. .76" I.D. x 1.5" O.D. x .010" Thk.
736-0493 FI-Wash. .76" I.D. x 1.5" O.D. x .020" Thk.
736-0351 FI-Wash. .76" I.D. x 1.5" O.D. x .030" Thk.
736-0445 FI-Wash. .76" I.D. x 1.5" O.D. x .060" Thk.

Models 620 thru 669



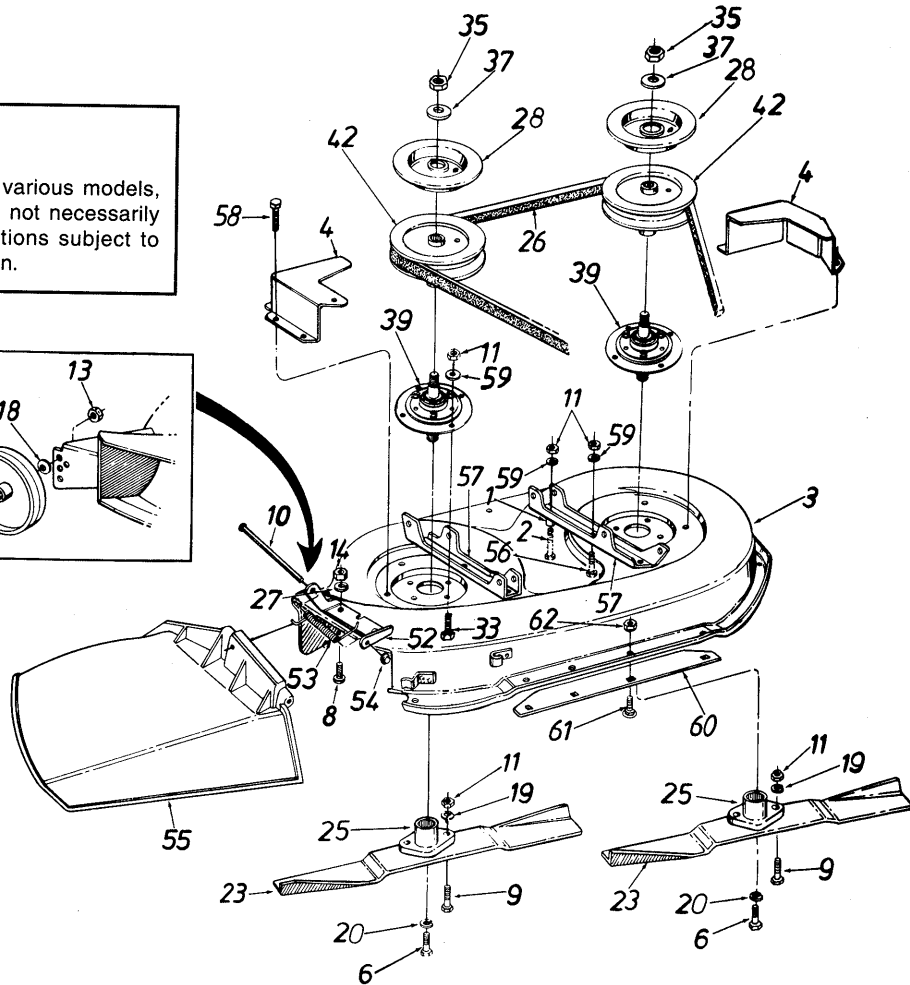
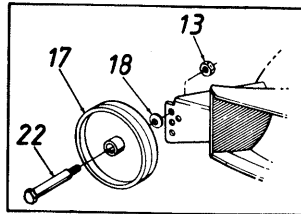
PARTS LIST FOR FRONT ENGINE LAWN TRACTORS

REF. NO.	PART NO.	CODE	DESCRIPTION	REF. NO.	PART NO.	CODE	DESCRIPTION
1	09735A		Connecting Rod	25	726-0272		Clamp
2	17640		Pivot Link Ass'y.—L.H.	26	738-0526		Running Board Rod
3	17641		Pivot Link Ass'y.—R.H.	27	710-3007		Hex Wash. Hd. Tap Scr.
4	17710		Deck Hanger Link Ass'y.	28	14802A		Link Deck Lift Ass'y.
5	14800A		Deck Hanger Link Ass'y.	29	711-0723A		Adj. Ferrule 3/8-24 Thd.
6	14804A		Deck Hanger Link Ass'y.	30	17712		Adj. Deck Lift Link
7	748-0331		Shld. Spacer .318" I.D.	31	712-3066		Hex Nut 1/2-20 Thd. (Gr. 5)
8	736-0264		FI-Wash. .344" I.D. x .62" O.D.	32	711-0841		Lift Link Adjuster
9	736-0119		L-Wash. 5/16" I.D.*	33	17637A	N	Lift Shaft Ass'y.
10	712-0267		Hex Nut 5/16-18 Thd.*	34	725-0803C		Safety Switch (Deck)
12	714-0470		Cotter Pin 1/8" Dia.	35	714-0145		Inter. Cotter Pin 3/8" Dia.
13	736-0256		FI-Wash. .635" I.D. x 1.0" O.D.	36	732-0637		Extension Spring
14	732-0412A		Deck Lift—Down Stop (Incl. Ref. 15)†	37	17636A		Stabilizer Bracket
15	08540		Knob†	38	738-0670		Shaft 1/2" Dia. x 10.28" Lg.
16	710-0604		Hex Wash. TT-Tap Scr. 5/16-18 x .75" Lg.	39	732-0638		Extension Spring
17	748-0176		Flange Brg. .63" I.D.†	40	720-0233		Grip (Lift Handle)
18	710-1238	N	Hex Wash. Hd. Scr. 5/16-18 x .875" Lg.	41	17675		Deck Lift Handle Ass'y.
19	710-0118		Hex Bolt 5/16-18 x .75" Lg.	42	738-0669		Shaft 3/8" Dia. x 9.34" Lg.
20	17730		Index Brkt.	43	747-0598		Disengagement Rod
21	17622B	N	Upper Frame—R.H.	44	17624		Stabilizer Shaft Ass'y.
23	736-0267		FI-Wash. .385" I.D. x .87" O.D.	45	732-0556		Extension Spring 7.58" Lg.
24	736-0160		FI-Wash. .531" I.D. x .93" O.D.	46	17623		Upper Frame—L.H.
				47	741-0313		Flange Brg. .632" I.D.
				48	17128		Spring Retainer Brkt.

†Optional

Deck "F"

NOTE
 This instruction manual covers various models, and all specifications shown do not necessarily apply to your model. Specifications subject to change without notice or obligation.



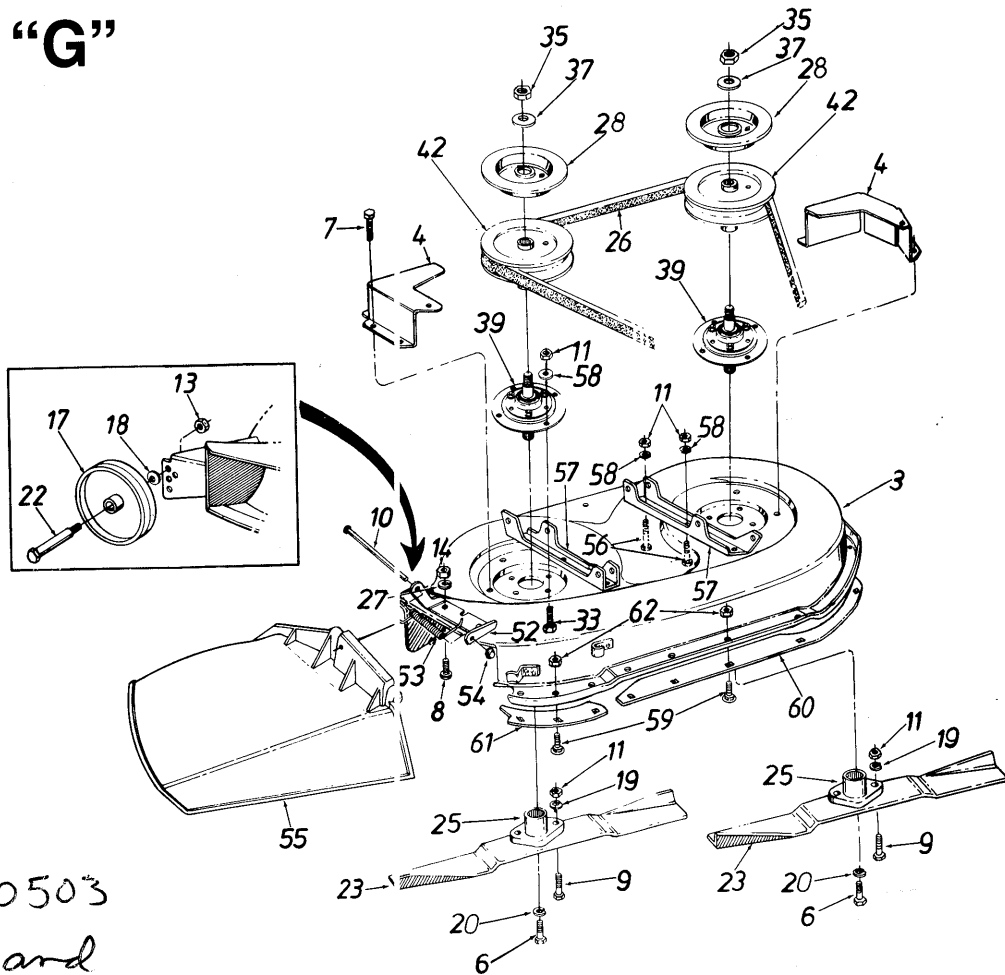
PARTS LIST FOR 38" MOWING DECK

REF. NO.	PART NO.	CODE	DESCRIPTION	REF. NO.	PART NO.	CODE	DESCRIPTION
1	750-0776		Spacer .33" I.D. x .88"	23	742-0473A		High-Lift Blade
2	710-0672		Hex Bolt 5/16-24 x 1.25" Lg.	25	748-0300		Blade Adapter
3	17503B	N	38" Deck Ass'y. w/Deck Wheels	26	754-0329A		V-Belt 754-0433
	801-7503		38" Deck Ass'y. Comp. w/Deck Wheels (For Service Only)	27	736-0270		Bell-Wash. 1/4" I.D.
	17717B	N	38" Deck Ass'y. w/o Deck Wheels	28	09322		Brake Disc
	813-06102		38" Deck Ass'y. w/o Deck Wheels (For Service Only)	33	710-0157		Hex Bolt 5/16-24 x .75" Lg.
4	17665		Belt Guard Deck	35	712-0318		Hex Jam Nut 5/8-18 Thd.
6	710-0152		Hex Bolt 3/8-24 x 1.0" Lg.	37	736-0158		L-Wash. 5/8" I.D.*
8	710-0258		Hex Bolt 1/4-20 x .62"	39	717-0906		Blade Spindle Ass'y. Comp.
9	710-0888		Hex Bolt Special 5/16-24 x 1.0"	42	756-0486		5" Dia. Pulley
10	711-0792		Hinge Pin	52	703-1693		Hinge Mtg. Brkt.
11	712-0123		Hex Nut 5/16-24 Thd.*	53	732-0602		Torsion Spring
13	712-0181		Hex Top L-Nut 3/8-16 Thd.†	54	726-0106		Push Nut
14	712-0287		Hex Nut 1/4-20 Thd.*	55	731-1032		Chute Ass'y. Comp. (Incl. Ref. 10, 52, 53, 54, 55)
17	734-0973		Deck Wheel—5"†	56	710-0157		Hex Bolt 5/16-24 x .75" Lg.
18	736-0105		Bell-Wash. .40" I.D. x .88" O.D.†	57	17493A		Deck Hanger Channel
19	736-0119		L-Wash. 5/16" I.D.*	58	710-0599		Hex Wash. Hd. TT-Tap Scr. 1/4-20 x .5" Lg.
20	736-0217		L-Wash. 3/8" I.D.—H.D.	59	736-0242		Bell-Wash. .345" I.D. x .88"
22	738-0373		Shld. Bolt .498" Dia. x 1.53"†	60	17863		Skirt Ext.
				61	710-0167		Carr. Bolt 1/4-20 x .5" Lg.
				62	712-0271		Hex Sems Nut 1/4-20 Thd.

*For faster service obtain standard nuts, bolts and washers locally. If these items cannot be obtained locally, order by part number and size as shown on parts list.

†Optional Deck Assembly with Wheels.

Deck "G"



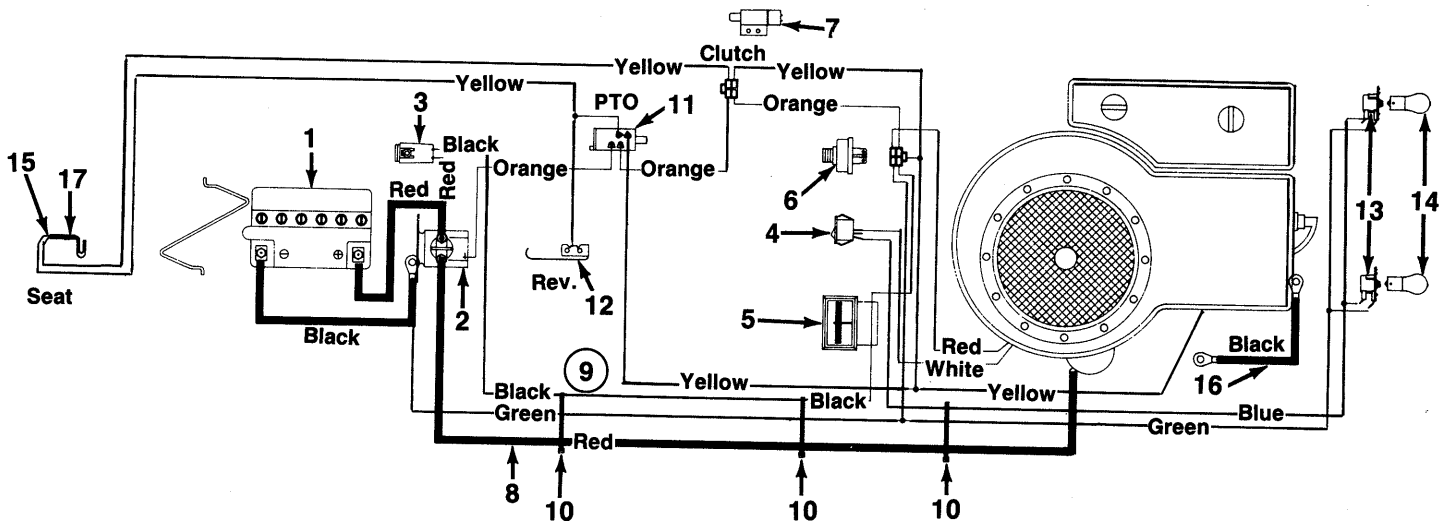
742-0503
Sand

PARTS LIST FOR 42" MOWING DECK

REF. NO.	PART NO.	CODE	DESCRIPTION	REF. NO.	PART NO.	CODE	DESCRIPTION
3	17600A 813-06119	N	42" Deck Ass'y. 42" Deck Ass'y. Comp (For Service Only)	26	754-0371A		V-Belt
4	17664		Belt Guard Deck	27	736-0270		Bell-Wash. 1/4" I.D.
6	710-0152		Hex Bolt 3/8-24 x 1.0" .g.	28	09322		Brake Disc
7	710-0599		Hex Wash. Hd. TT-Tap Scr. 1/4-20 x .5" Lg.	33	710-0157		Hex Bolt 5/16-24 x .75" Lg.
8	710-0258		Hex Bolt 1/4-20 x .62"	35	712-0318		Hex Jam Nut 5/8-18 Thd.
9	710-0888		Hex Bolt Special 5/16-24 x 1.0"	37	736-0158		L-Wash. 5/8" I.D.*
10	711-0792		Hinge Pin	39	717-0906		Blade Spindle Ass'y. Comp.
11	712-0123		Hex Nut 5/16-24 Thd.*	42	756-0556		5.5" Dia. Pulley
13	712-0181		Hex Top L-Nut 3/8-16 Thd.	52	703-1693		Hinge Mtg. Brkt.
14	712-0287		Hex Nut 1/4-20 Thd.*	53	732-0602		Torsion Spring
17	734-0973		Deck Wheel—5"	54	726-0106		Push Nut
18	736-0105		Bell-Wash. .40" I.D. x .88" O.D.	55	731-1032		Chute Ass'y. Comp. (Incl. Ref. 10, 52, 53, 54, 55)
19	736-0119		L-Wash. 5/16" I.D.*	56	710-0157		Hex Bolt 5/16-24 x .75" Lg.
20	736-0217		L-Wash. 3/8" I.D.—H.I.D.)	57	17493A		Deck Hanger Channel
22	738-0373		Shld. Bolt .498" Dia. x 1.53"	58	736-0242		Bell-Wash. .345" I.D. x .88"
23	742-0499A	N	High-Lift Blade	59	710-0167		Carr. Bolt 1/4-20 x .5" Lg.
25	748-0300		Blade Adapter	60	17861A	N	Deck Skirt Ext.—Long
				61	17961		Deck Skirt Ext.—Short
				62	712-0271		Hex Sems Nut 1/4-20 Thd.

*For faster service obtain standard nuts, bolts and washers locally.
If these items cannot be obtained locally, order by part number
and size as shown on parts list.

Models 620 thru 669



PARTS LIST FOR MODEL 600 SERIES LAWN TRACTORS

REF. NO.	PART NO.	CODE	DESCRIPTION
1	725-0514A		Battery
2	725-1426		Solenoid
3	725-1625		Fuse 7.5 Amps
4	725-0634		Light Switch (Optional)
5	725-0925		Ammeter (Optional)
6	725-0267		Ignition Switch
7	725-3169A		Safety Switch (Clutch)
8	725-1081		Electric Wire 30" Lg. (B&S)
	725-1082		Electric Wire 36" Lg. (Tec.)
9	629-0066	N	Wire Harness w/o Ammeter (B&S)
	629-0073	N	Wire Harness w/o Ammeter (Tec.)
	629-0076	N	Wire Harness w/Ammeter (B&S)
	629-0078	N	Wire Harness w/Ammeter (Tec.)
10	726-0197		Cable Tie
11	725-0803C		Safety Switch (Deck)
12	725-0759		Safety Switch (Reverse)
13	725-1649	N	Socket (Used on Styles 0, 1, 6, 7)
	725-1650	N	Socket (Used on Styles 2, 3, 4, 5, 8, 9)
14	725-0963		Bulb (Headlight)
15	725-1303		Safety Switch (Seat)
16	725-0980		Ground Wire 7.5" Lg.
17	725-1439		Safety Switch (Seat)

**FOR REPLACEMENT PARTS, CONTACT:
SERVICE DEPARTMENT • P.O. BOX 360900 • CLEVELAND, OHIO 44136**